

# Inductive sensor

## NMB10-18GM55-E2-355MM-4DT06

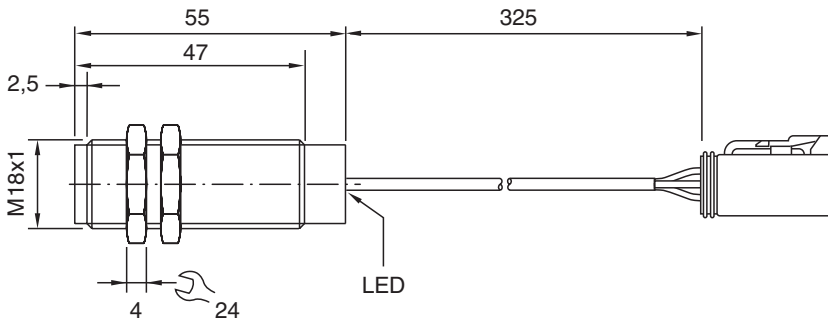


- 10 mm flush
- Stainless steel sensing face
- Increased operating distance
- Deutsch 4-pin, DT04 connector

Inductive sensor



### Dimensions



### Technical Data

General specifications		
Switching function		Normally open (NO)
Output type		PNP
Rated operating distance	$s_n$	10 mm
Installation		flush (Requirements: see drawing below)
Output polarity		DC
Assured operating distance	$s_a$	0 ... 8.1 mm
Actuating element		Ferrous and nonferrous targets
Reduction factor $r_{Al}$		0.4
Reduction factor $r_{Cu}$		0.25
Reduction factor $r_{304}$		0.85
Reduction factor $r_{S137}$		1
Output type		3-wire
Nominal ratings		
Operating voltage	$U_B$	10 ... 30 V DC
Switching frequency	$f$	0 ... 240 Hz
Hysteresis	$H$	3 ... 15 typ. 10 %
Reverse polarity protection		reverse polarity protected
Short-circuit protection		pulsing
Voltage drop	$U_d$	$\leq 2$ V
Operating current	$I_L$	$\leq 200$ mA
Off-state current	$I_r$	10 $\mu$ A

Release date: 2022-06-20 Date of issue: 2022-06-20 Filename: 910594\_eng.pdf

Refer to "General Notes Relating to Pepperl+Fuchs Product Information".

Pepperl+Fuchs Group  
www.pepperl-fuchs.com

USA: +1 330 486 0001  
fa-info@us.pepperl-fuchs.com

Germany: +49 621 776 1111  
fa-info@de.pepperl-fuchs.com

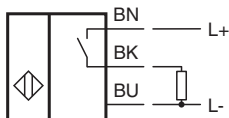
Singapore: +65 6779 9091  
fa-info@sg.pepperl-fuchs.com

**PF** PEPPERL+FUCHS

## Technical Data

No-load supply current	$I_0$	≤ 10 mA
Operating voltage indicator		LED, green
Switching state indicator		LED, yellow
<b>Functional safety related parameters</b>		
MTTF <sub>d</sub>		847 a
Mission Time (T <sub>M</sub> )		20 a
Diagnostic Coverage (DC)		0 %
<b>Compliance with standards and directives</b>		
Standard conformity		
Standards		EN 60947-5-2:2007 EN 60947-5-2/A1:2012 IEC 60947-5-2:2007 IEC 60947-5-2 AMD 1:2012
<b>Ambient conditions</b>		
Ambient temperature		-25 ... 70 °C (-13 ... 158 °F)
<b>Mechanical specifications</b>		
Connection type		fixed cable with plug
Core cross section		0.5 mm <sup>2</sup>
Housing material		Stainless steel 1.4305 / AISI 303
Sensing face		Stainless steel 1.4305 / AISI 303
Degree of protection		IP67
Connector		
Connection assembly		Deutsch connector DT06-4S-C015 Deutsch contact 1062-16-0622 Deutsch plug 114017 Deutsch wedge W4S
Cable		
Cable diameter		6.2 mm ± 0.2 mm
Bending radius		> 10 x cable diameter
Material		PUR
Color		black
Number of cores		3
Length	L	L = 325 mm
Note		Deutsch connector
<b>General information</b>		
Scope of delivery		2 self locking nuts in scope of delivery

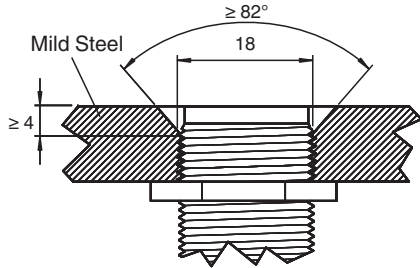
## Connection



**Connection**

- 1 | BN
- 2 | BK
- 3 | PLUG
- 4 | BU

**Mounting**



Sensor face is flush with mounting surface.

Release date: 2022-06-20 Date of issue: 2022-06-20 Filename: 910594\_eng.pdf